



INSTALLATION INSTRUCTIONS

SPORTSMAN X, SPORTSMAN, & HDX GRILLE GUARD

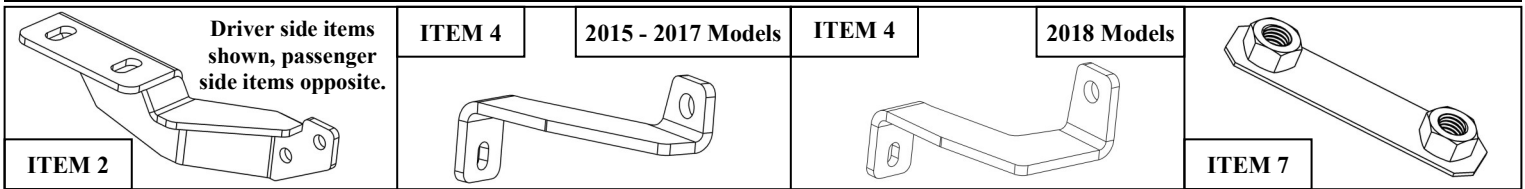
APPLICATION:

2015-2019 Ford F-150 & 2015-2019 Ford F-150 w/Front Camera

PART NUMBER: 40-3835, 45-3830, 57-3830, 57-3835, 57-3935, 40-33835

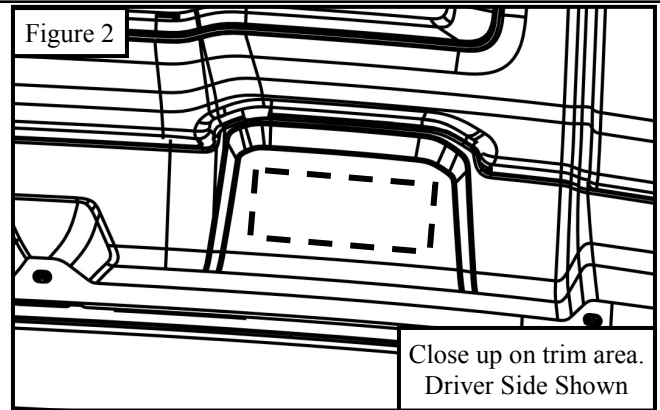
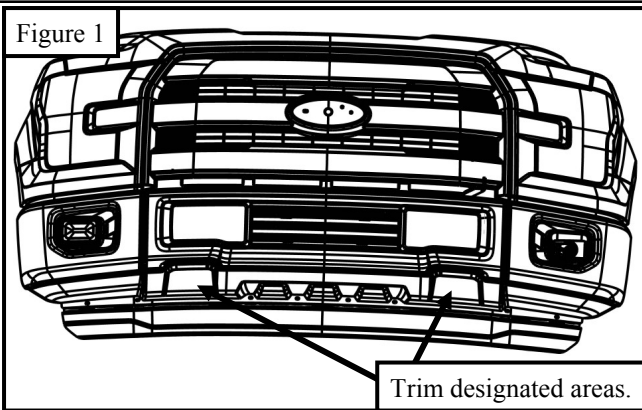
ITEM	QUANTITY	DESCRIPTION	TOOLS NEEDED
1	1	GRILLE GUARD ASSEMBLY	14MM SOCKET
2,3	2	LOWER MOUNTING BRACKET, DRIVER (2) AND PASSENGER (3)	15MM SOCKET
4,5	2	UPPER SUPPORT BRACKET, DRIVER (4) AND PASSENGER (5)	18MM SOCKET
6	2	8MM SPACER	UTILITY KNIFE
7	2	DOUBLE NUT PLATE	PRY TOOL
8	4	M12 HEX CAP SCREW (YELLOW ZINC)	ALLEN WRENCH
9	4	M12 FLAT WASHER (YELLOW ZINC)	SOCKET EXT.
10	4	M12 SPLIT LOCK WASHER (YELLOW ZINC)	RATCHET
11	2	M8 HEX CAP SCREW (YELLOW ZINC)	TORQUE WRENCH
12	2	M8 FLAT WASHER (YELLOW ZINC)	
13	2	M8 SPLIT LOCK WASHER (YELLOW ZINC)	
14	6	M12 HEX BUTTON HEAD SCREW (STAINLESS)	
15	6	M12 CUPPED WASHER (STAINLESS)	
16	6	M12 SERRATED FLANGE NUT (STAINLESS)	

ANTI-SEIZE LUBRICANT MUST BE USED ON ALL STAINLESS STEEL FASTENERS TO PREVENT THREAD DAMAGE AND GALLING

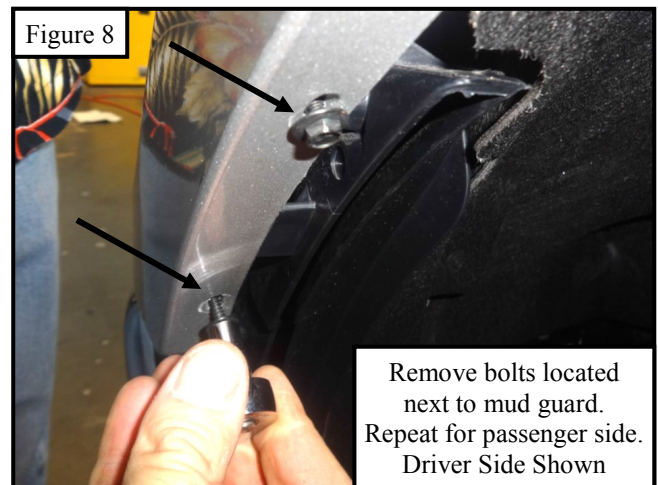
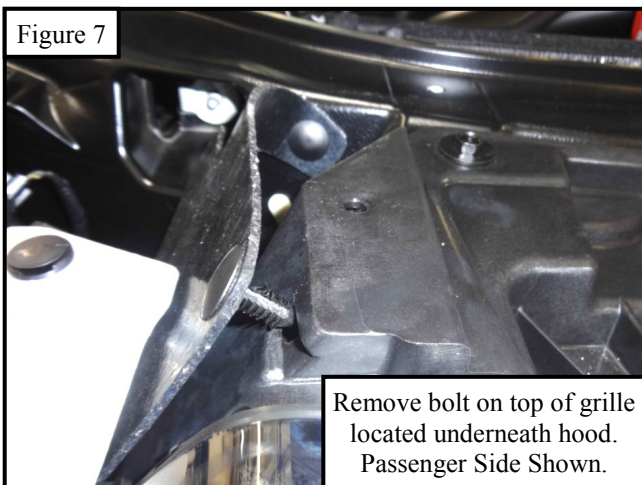
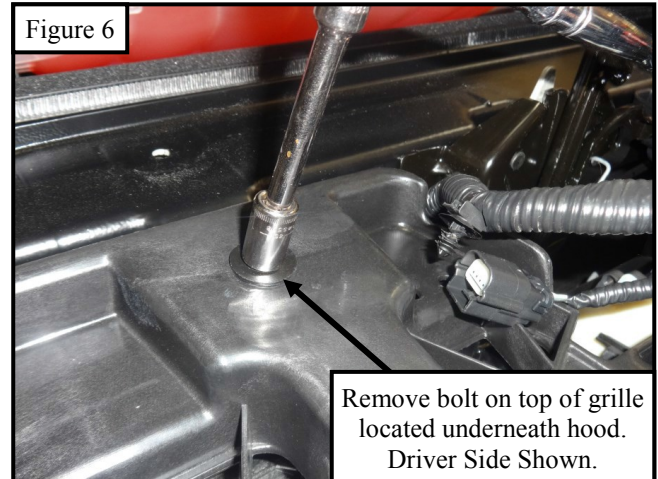
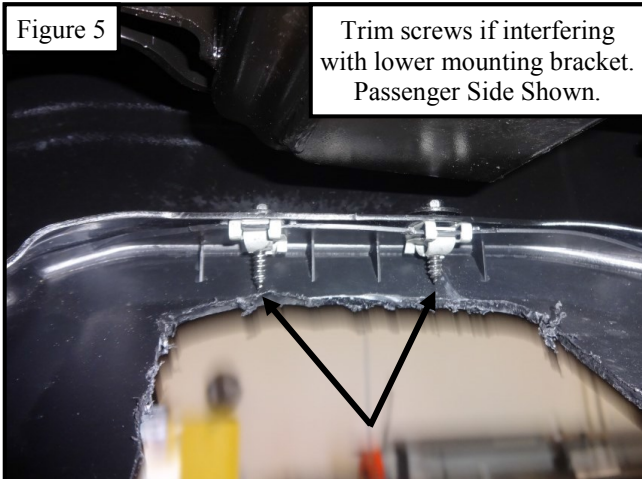
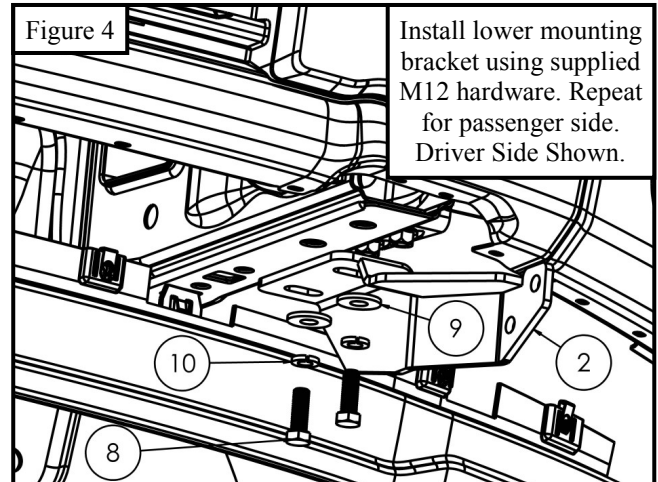
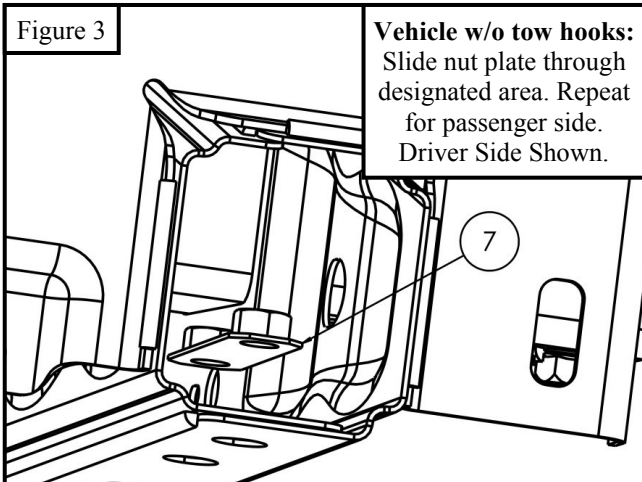


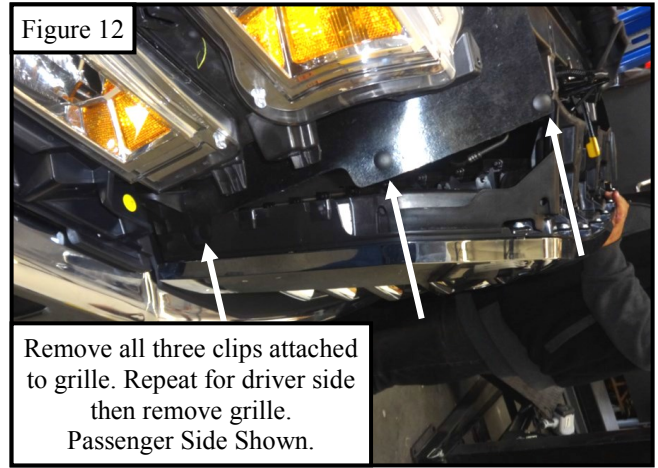
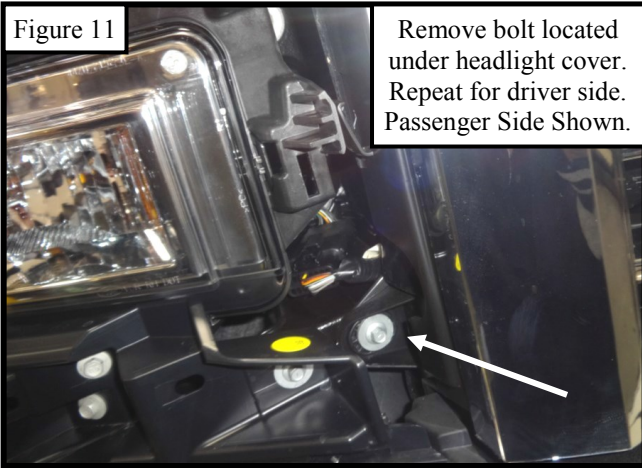
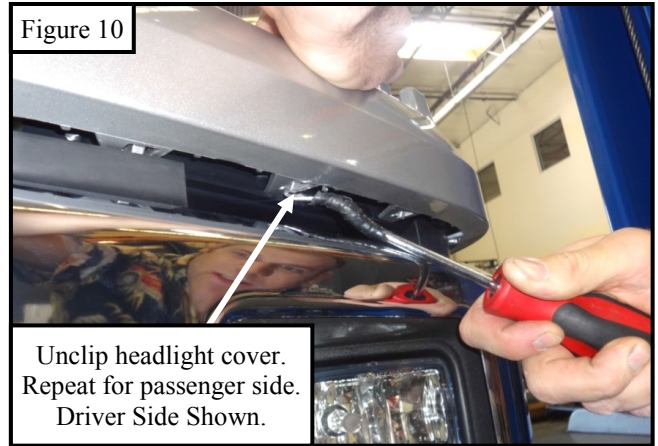
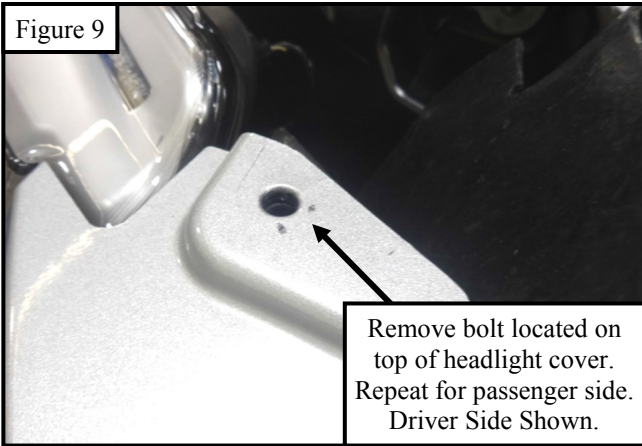
PROCEDURE

- Remove contents from box, verify if all parts listed are present and free from damage. Carefully read and understand all instructions before attempting installation. **Failure to identify damage before installation could lead to a rejection of any claim.**
- For vehicles without factory tow hooks:** Trim the plastic in the areas in **Figures 1 - 2**. Repeat for the passenger side.

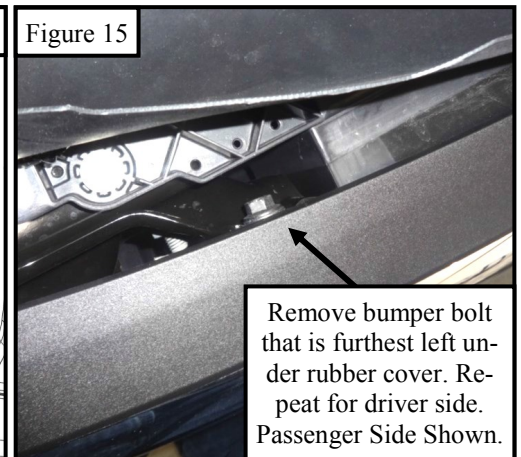
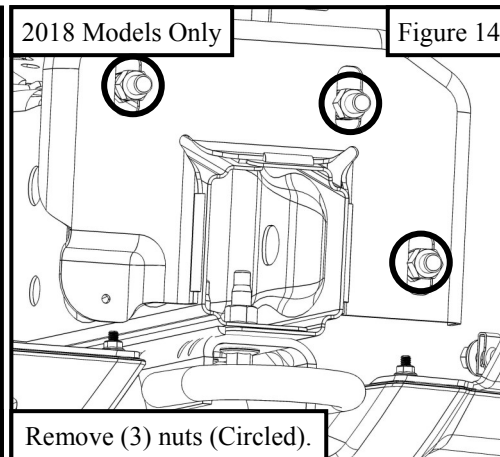
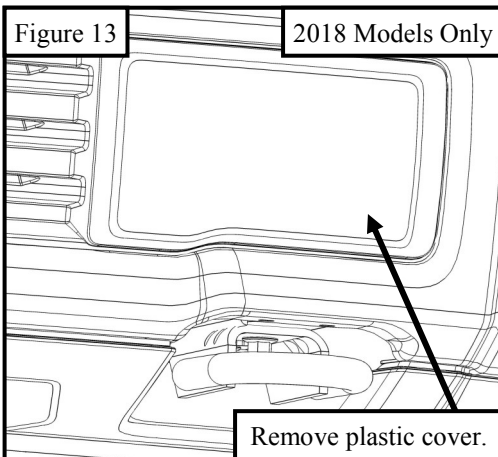


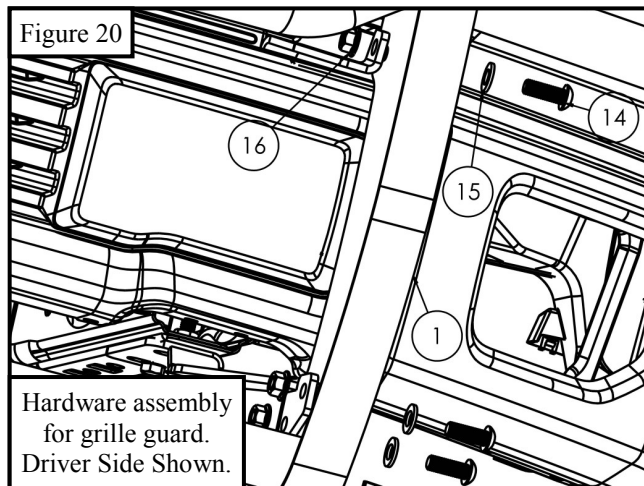
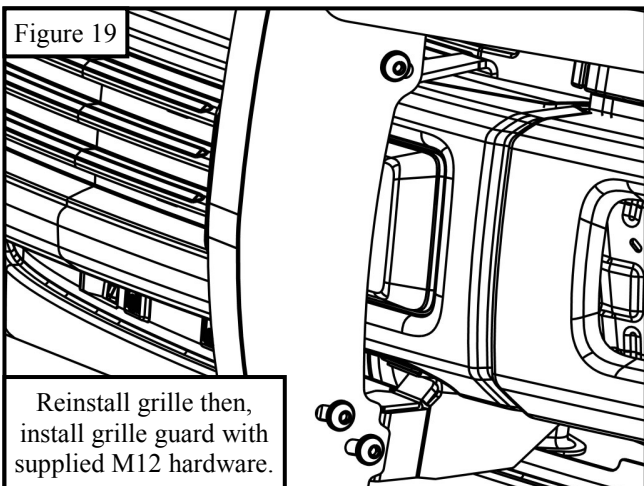
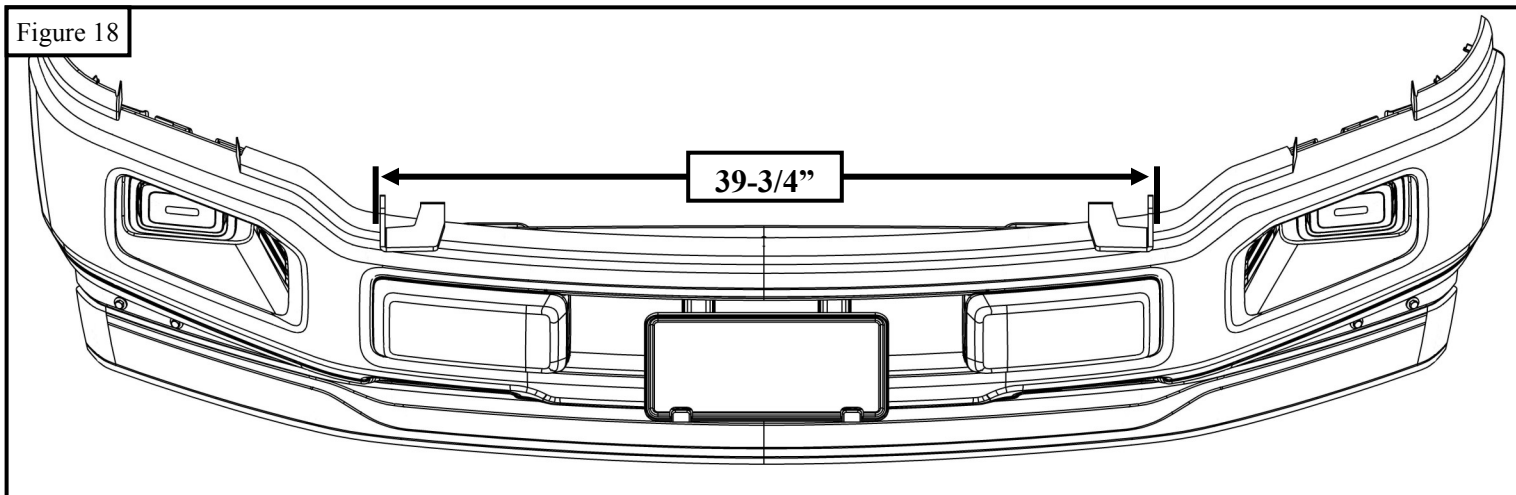
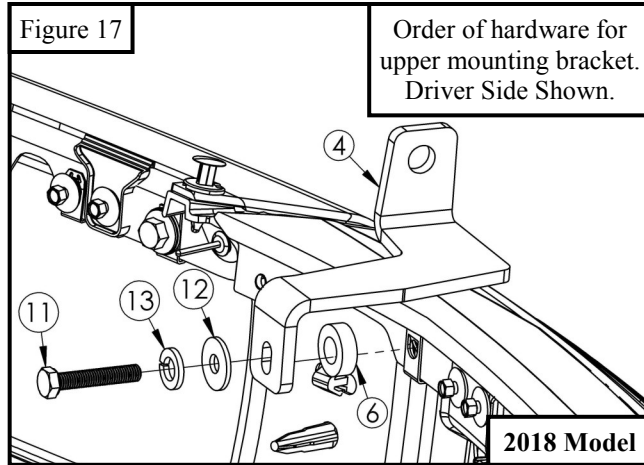
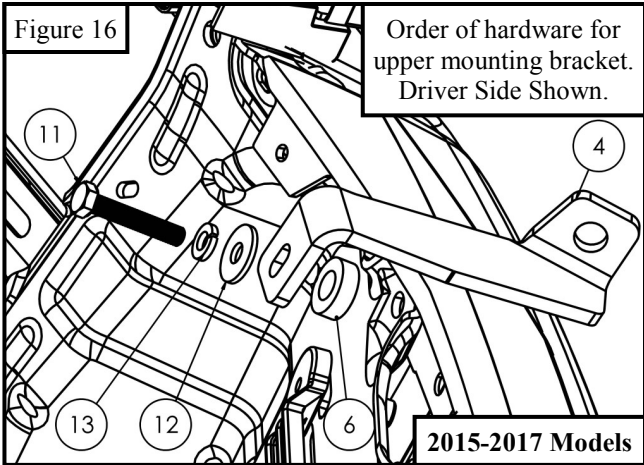
3. **For vehicles with factory tow hooks:** Remove tow hooks and loosely install Lower Mounting Brackets to factory nut plates using supplied M12 hardware as shown in **Figure 4**. Trim screws if they interfere with lower mounting bracket. See **Figure 5**.
4. **For vehicles without tow hooks:** Slip double nut plates into frame and line up with existing holes. See **Figure 3**. Loosely install the Lower Mounting Brackets using the supplied M12 hardware as shown in **Figure 4**. Trim screws if they interfere with lower mounting bracket. See **Figure 5**.
5. **For 2015-2017 Models Only:** Remove all factory hardware and clips attached to grille, then remove grille. See **Figures 6 - 12**.



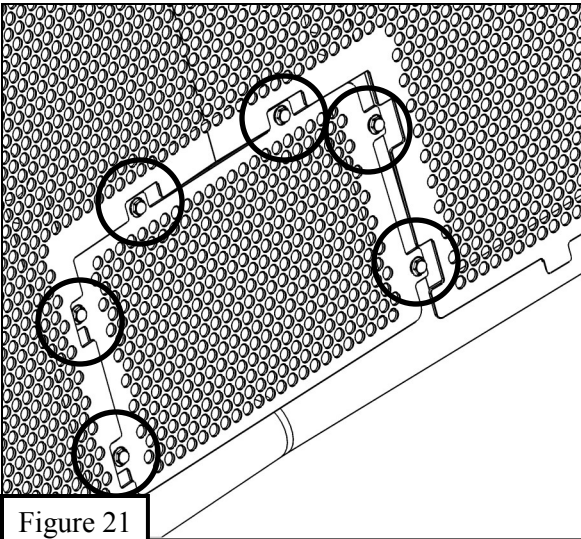


6. **For 2018 Models Only:** Remove plastic covers that are located above the location of the tow hooks to expose (3) nuts on each side. Remove the nuts in order to remove the front bumper. See **Figures 13-14**.
7. Remove factory bumper bolt see **Figure 15**. Install upper mounting bracket using supplied M8 hardware. Make sure the brackets are approximately 39-3/4" apart from outer bracket flange. For the 2018 model, make sure to lay the bracket firmly on top of the rubber strip that is on top of the bumper. Tighten M8 hardware to 15 ft-lbs. See **Figures 16-18**. **Note: Figure 16** for 2015-2017 models and **Figure 17** for 2018 models.
8. Reinstall grille, headlight covers, and any other parts removed in the reverse order of the install instructions.
9. With assistance hold the Grille Guard up to the previously installed brackets. Loosely attach the Grille Guard to the brackets using the supplied M12 hardware. See **Figures 19 and 20**.
10. Align and adjust the Grille Guard as necessary. Tighten and torque M12 hardware to 50-55 ft-lbs.





11. For models with front cameras, remove the screen in the Grille Guard as shown in **Figure 21**.



INSTALLATION COMPLETE



HDX Grille Guard Shown.

CARE INSTRUCTIONS

- REGULAR WAXING IS RECOMMENDED. DO NOT USE ANY TYPE OF POLISH OR WAX THAT MAY CONTAIN ABRASIVES.
- STAINLESS STEEL PRODUCTS CAN BE CLEANED WITH MILD SOAP AND WATER. STAINLESS STEEL POLISH SHOULD BE USED TO POLISH SMALL SCRATCHES.
- GLOSS BLACK FINISHES SHOULD BE CLEANED WITH MILD SOAP AND WATER.

WESTIN Westin Automotive Products, Inc.
320 W. Covina Blvd
San Dimas, Ca. 91773

Thank you for choosing Westin products
for additional installation assistance please call
Customer Service (800) 793-7846
www.westinautomotive.com



WARNING



Failure to follow these instructions could lead to death, personal injury, and / or property damage.

Failure to follow these instructions could lead to death, personal injury, and / or property damage.

FASTENERS:

All Westin supplied fasteners must be utilized and installed in accordance with the installation instructions and apply torque to the specifications as defined. **DOUBLE CHECK ALL FASTENERS BEFORE INITIAL USE, AND PERIODICALLY IN THE FUTURE TO ENSURE PROPER FUNCTION AND SAFETY.**

DRILLING:

Most Westin products do not require drilling for installation. If drilling is defined as required, use caution when drilling a vehicle. **FAILURE TO REVIEW AN AREA TO BE DRILLED MAY RESULT IN PERSONAL INJURY AND/OR INJURY TO OTHERS AS WELL AS VEHICLE DAMAGE.**

EYE PROTECTION:

ALWAYS WEAR SAFETY GLASSES OR GOGGLES DURING THE INSTALLATION PROCESS TO AVOID PERSONAL INJURY.

MAXIMUM TOWING/CARRYING CAPACITY: (if applicable)

The Westin Receiver Hitches will have a visible tow rating label affixed directly on the product. User should never exceed the vehicle manufacturers maximum tow and weight rating regardless of the capacity of the hitch. **FAILURE TO FOLLOW THESE GUIDELINES WILL VOID THE WESTIN WARRANTY AND MAY RESULT IN PERSONAL INJURY AND/OR INJURY TO OTHERS AS WELL AS VEHICLE DAMAGE.**

FOR CALIFORNIA RESIDENTS ONLY-PROP 65 WARNING:

Some products may contain chemicals such as DEHP, which can cause cancer, birth defects or other reproductive harm. For more info go to www.p65warnings.ca.gov



Westin Automotive Products, Inc.
320 W. Covina Blvd
San Dimas, Ca. 91773